

Particle-in-Cell (PIC) simulation of magnetic reconnection

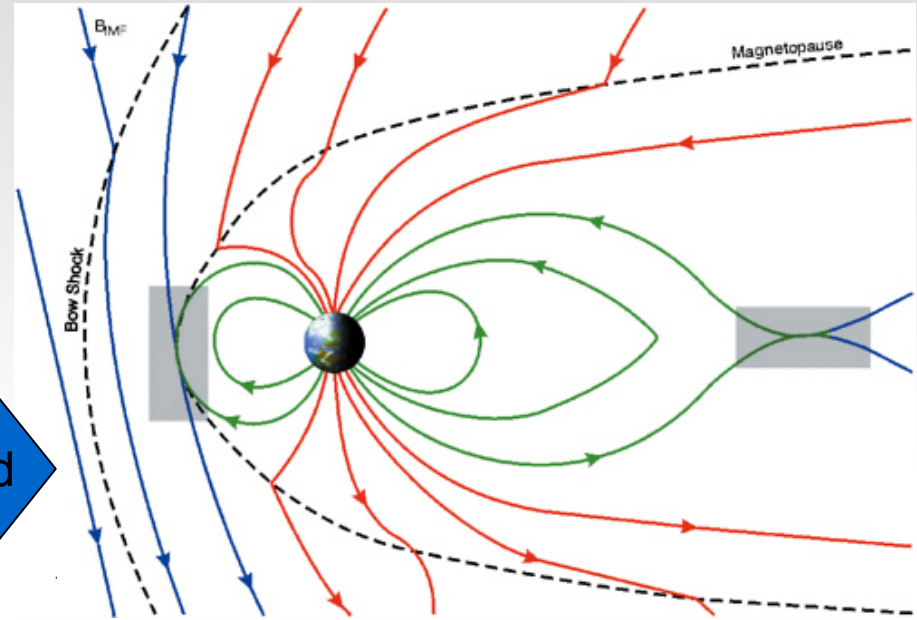
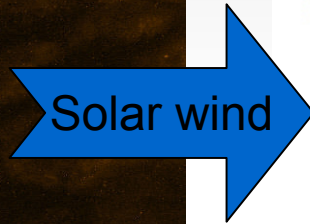
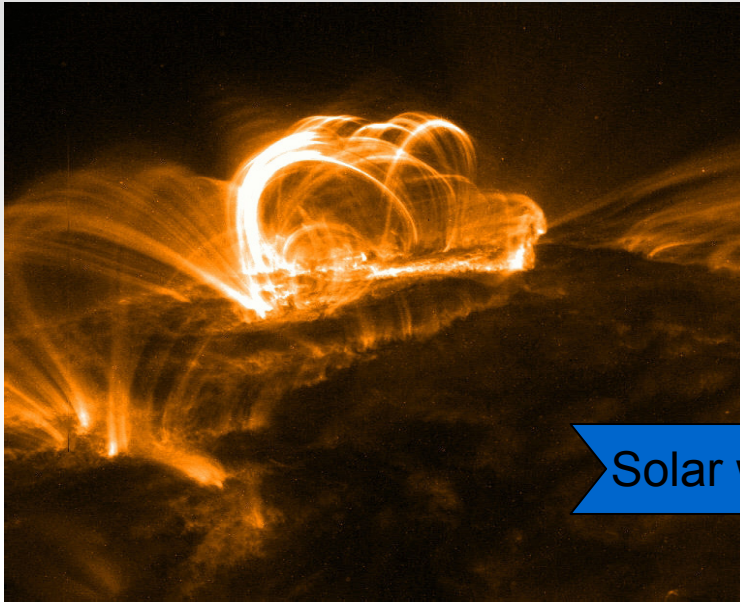
Lars Lewerentz



Ernst-Moritz-Arndt University

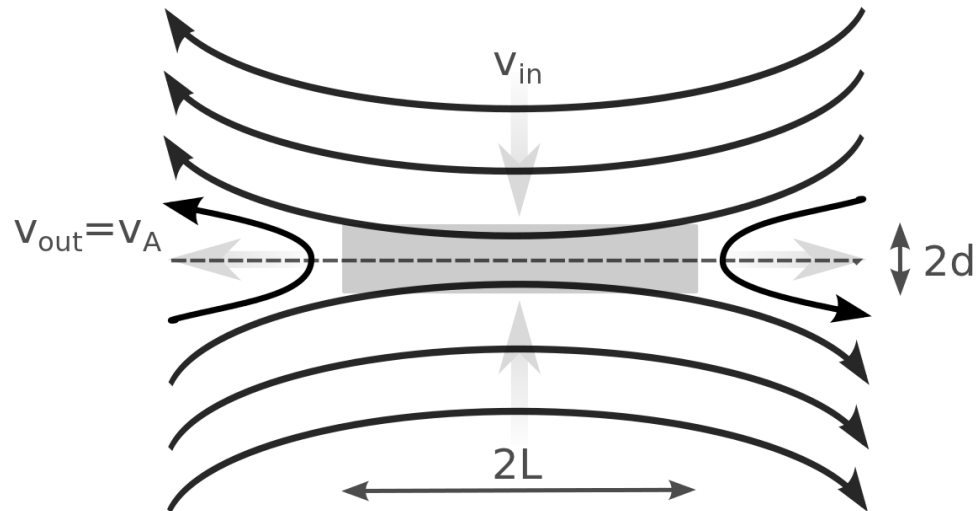
Greifswald

Magnetic reconnection



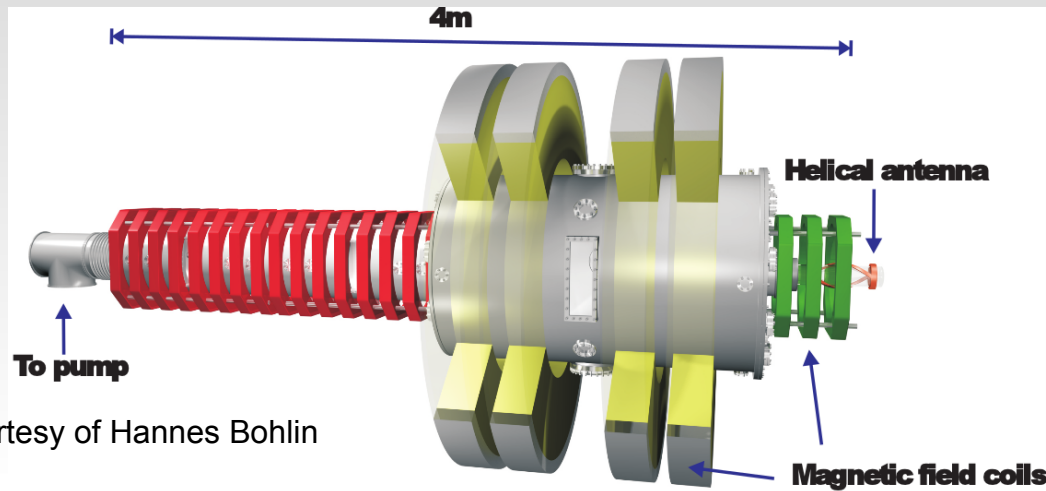
http://www.nasa.gov/mission_pages/swift/bursts/monster_flare.html

http://www.nap.edu/openbook.php?record_id=10993&page=23



Model

3D gyrokinetic PIC code
Plasma uniformly distributed
Current coils implemented
(21 threads per coil)



Courtesy of Hannes Bohlin

